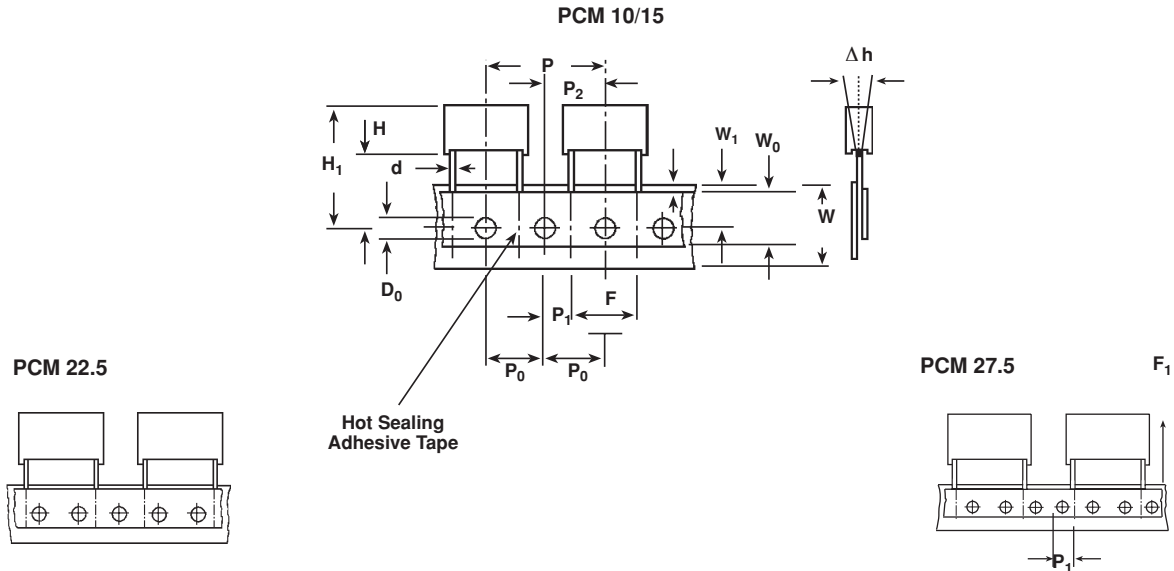


Radial Plastic Film Capacitors (according to IEC 60286-2)



ITEM	DIMENSIONS in millimeters					
	SYMBOL	PCM 10.0	PCM 15.0	PCM 22.5	PCM 27.5	TOLERANCE*
Carrier tape width	W	18.0	18.0	18.0	18.0	± 0.5 min.
Hold-down tape width	W ₀	6.0	12.0	12.0	12.0	± 0.3 min.
Pitch of component	P	25.4	25.4	38.1	50.8	± 1.0
Hole center to component center	P ₂	12.7	12.7	19.05	25.4	± 1.3
Feed hole center to lead	P ₁	7.7	5.2	7.8	11.65	± 0.7
Height of component from tape center	H	16.5 18.5	16.5 18.5	16.5 18.5	16.5 18.5	+ 1.5 (± 0.3) - 0.5 (± 0.5)
Hold-down tape position	W ₂	0.3 to 3.0	0.5	0.5	0.5	+ 0.5/- 0 (-)
Hole position	W ₁	9.0	9.0	9.0	9.0	± 0.5
Feed hole pitch	P ₀ ¹⁾	12.7	12.7	12.7	12.7	± 0.2
Feed hole diameter	D ₀	4.0	4.0	4.0	4.0	± 0.8 (± 0.3)
Lead wire diameter	d	0.6 - 0.8	0.8	0.8 - 1.0	0.8 - 1.0	± 0.05
Component alignment	Δh	± 2.0	± 3.0	± 3.0	± 3.0	max.
Lead spacing	F	10	15	22.5	27.5	+ 0.6/- 0.1
Component height	H ₁	-	30	36	50	max.
Extraction force for components	F ₁	5	5	5	5	min. [N]
Break force of the tape	F ₂	15	15	15	15	min. [N]

*Values in () are for PCM 10

¹⁾Cumulative pitch error over 10 holes = 9 spaces 114.4 mm ^{+ 0.4 mm} _{- 0.6 mm}

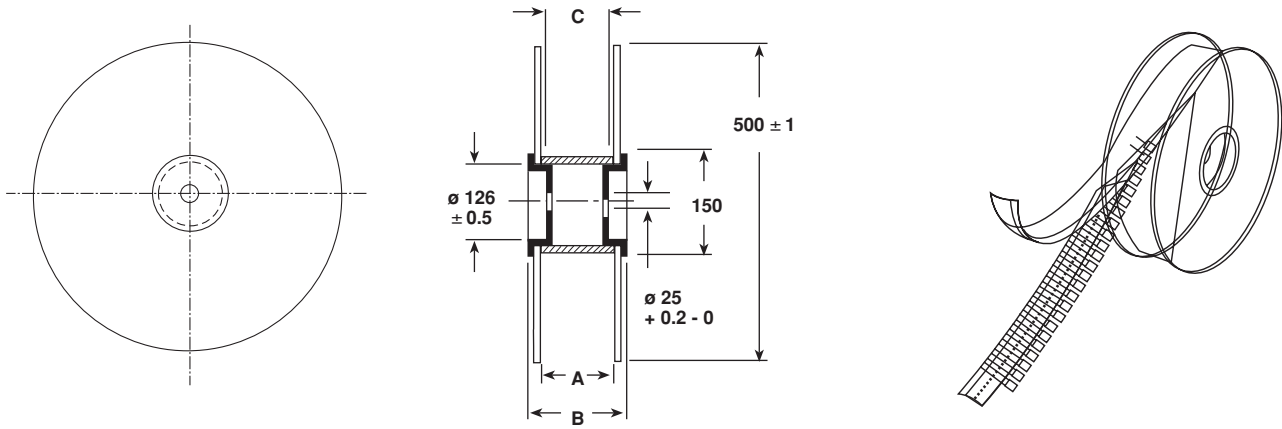
Packaging Information

Vishay Roederstein Radial Plastic Film (acc. to IEC 60286-2)



Reel for radially taped capacitors

Direction of unreeling



NOTE:
The capacitors can also be supplied in cardboard boxes (ammo packing).
Please specify in your order.

Packaging units for radially taped capacitors

pcm (mm)	Weight (kg)	Pieces per Reel*
15	ca. 5.5	700—1000
22.5	ca. 3.5	350—600
27.5	ca. 3.0	100—250

*Depending on capacitor width

MAX. CAPACITOR HEIGHT (mm)	REEL-DIMENSIONS in millimeters		
	A	B	C
20	52	70	28
25	57	75	33
30	62	80	38
35	67	85	43
40	72	90	48



**Packing Quantities for Radial Capacitors
in PCM 10 to 37.5mm**

CASE SIZE BG	DIMENSIONS			LEAD SPACE	(T) TRAY	(B) BULK	(B) BULK	(B) BULK	AMMO BIG BOX	AMMO SMALL BOX	(R) REEL	(R) REEL	CASE SIZE BG
	W	H	L		LL= < = 6 - 1mm	LL= < = 6 - 1mm	LL= 15 - 1mm	LL= 30 + 5mm			D= 350mm	D= 500mm	
01	8.8	16.8	26.3	22.5	190	---	700	600	500	---	---	450	01
02	4.3	9.3	12.8	10	---	1250	1500	1500	---	550	750	1250	02
03	5.3	10.3	12.8	10	---	1000	1000	1000	---	450	500	1000	03
04	6.3	11.3	12.8	10	---	750	1250	1000	---	375	500	1000	04
05	5.3	10.3	17.8	15	---	750	1250	900	1200	---	500	1000	05
06	6.3	12.3	17.8	15	---	500	1000	750	---	---	450	1000	06
07	7.3	13.3	17.8	15	---	450	650	500	850	---	400	800	07
08	8.3	14.3	17.8	15	300	325	700	500	750	---	350	700	08
09	6.3	14.3	26.3	22.5	260	---	1250	750	625	---	---	600	09
10	3.3	7.8	12.8	10	---	2000	1500	1500	---	750	1000	2000	10
11	7.3	15.3	26.3	22.5	235	---	1000	750	600	---	---	500	11
12	8.3	16.3	26.3	22.5	200	---	900	750	525	---	---	450	12
13	10.3	18.3	26.3	22.5	170	---	600	500	420	---	---	400	13
14	11.0	20.3	31.3	27.5	125	---	400	400	275	---	---	250	14
15	13.0	23.3	31.3	27.5	110	---	350	250	240	---	---	225	15
16	14.0	24.3	41.3	37.5	80	---	200	175	---	---	---	---	16
17	17.8	32.3	31.3	27.5	85	---	250	225	---	---	---	190	17
18	14.5	24.3	31.3	27.5	100	---	275	250	200	---	---	200	18
19	15.8	28.3	41.3	37.5	70	---	150	150	---	---	---	---	19
20	17.8	32.3	41.3	37.5	60	---	125	125	---	---	---	---	20
23	8.8	16.8	31.3	27.5	160	---	600	550	325	---	---	350	23
25	12.3	22.3	26.3	22.5	140	---	400	400	---	---	---	300	25
27	12.3	19.8	26.3	22.5	135	---	450	400	350	---	---	300	27
28	8.3	17.3	17.8	15	300	---	600	500	750	---	350	700	28
29	8.8	18.3	31.3	27.5	160	---	550	500	350	---	---	350	29
32	3.8	8.8	12.8	10	---	1500	1500	1500	---	700	750	1500	32
35	10.3	17.3	17.8	15	225	---	450	400	650	---	300	600	35
36	13.3	22.3	17.8	15	185	140	500	400	475	---	---	425	36
38	15.3	26.3	26.3	22.5	110	---	300	275	275	---	---	250	38
39	17.8	29.3	26.3	22.5	90	---	250	250	225	---	---	200	39
40	17.8	32.3	31.3	27.5	80	---	200	175	175	---	---	160	40
41	19.5	34.8	31.3	27.5	70	---	150	150	175	---	---	150	41
42	19.8	39.8	42.3	37.5	56	---	100	90	---	---	---	---	42
44	12	22.3	41.3	37.5	90	---	225	200	---	---	---	---	44
45	10.8	20.8	26.3	22.5	150	---	500	500	400	---	---	375	45
46	10	16	17.9	15	240	600	500	400	650	---	300	600	46
49	6.0	12	17.9	15	---	600	1000	750	900	---	450	1000	49
70	10.8	18.3	17.8	15	225	---	400	350	---	---	---	550	70
91	6.4	12.5	12.8	10	---	750	1250	900	---	---	500	1000	91
94	7.0	16.3	26.1	22.5	240	---	1000	750	600	---	350	500	94